

# Technical sheet Chat

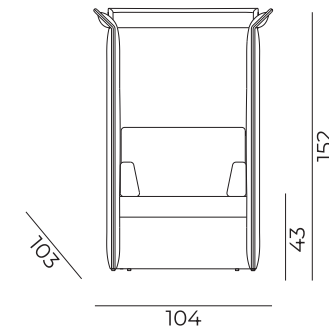
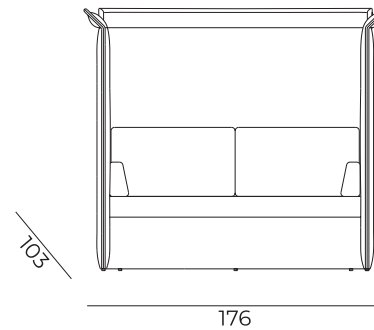
DESIGN: PAWLAK & STAWARSKI



Acoustic sofa



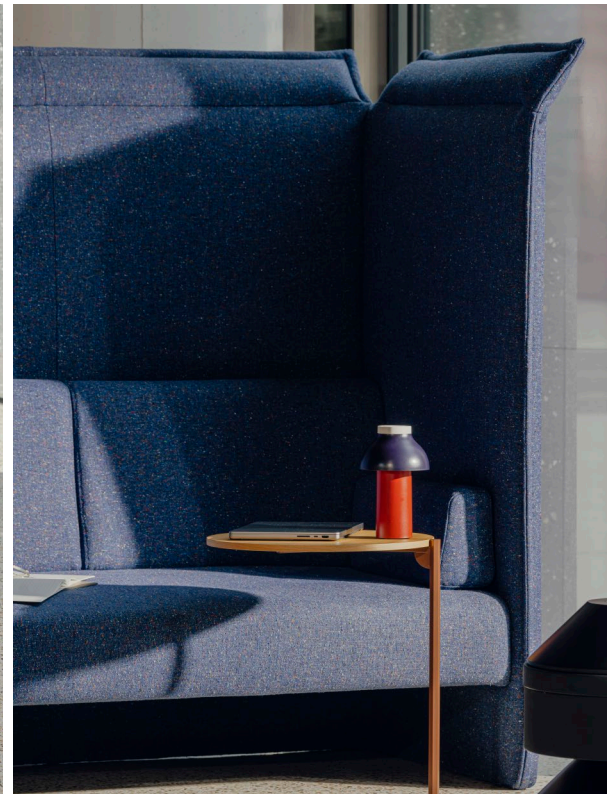
Acoustic armchair



**Frame:**  
pine wood, plywood, chipboard

**Seat:**  
**sides** - upholstery foam t 25 kg/m<sup>3</sup>  
**seat** - corrugated spring, upholstery foam hr 40 kg/m<sup>3</sup>  
**back cushions** - upholstery foam hr 30/25 kg/m<sup>3</sup>, wadding

**Seat depth:**  
Acoustic sofa - 60 cm  
Acoustic armchair - 60 cm





# Technical sheet Chat

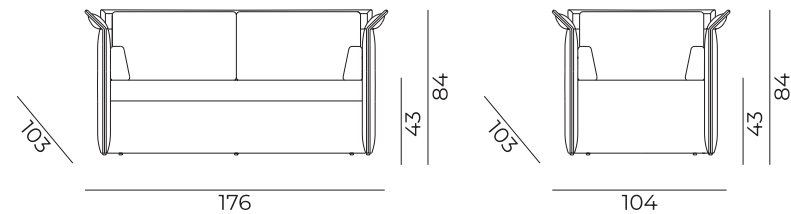
DESIGN: PAWLAK & STAWARSKI



Sofa



Armchair



**Frame:**  
pine wood, plywood, chipboard

**Seat:**  
**sides** - upholstery foam t 25 kg/m<sup>3</sup>  
**seat** - corrugated spring, upholstery foam hr 40 kg/m<sup>3</sup>  
**back cushions** - upholstery foam hr 30/25 kg/m<sup>3</sup>, wadding

**Seat depth:**  
Sofa - 60 cm  
Armchair - 60 cm

